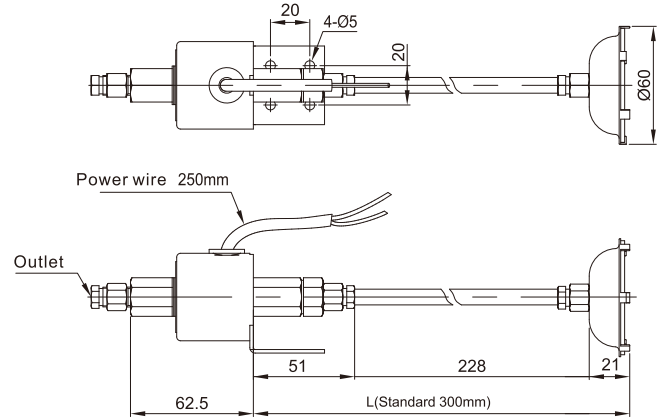
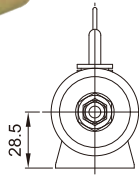
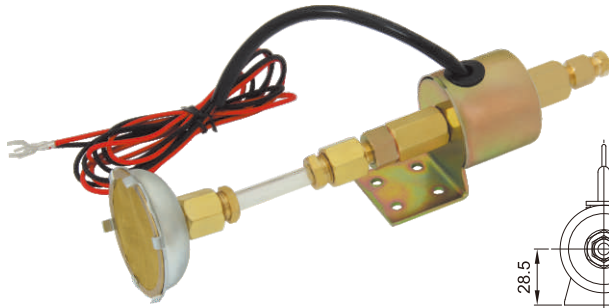




CHEN YING

Electro-Magnetic Pump

Electro-Magnetic Pump

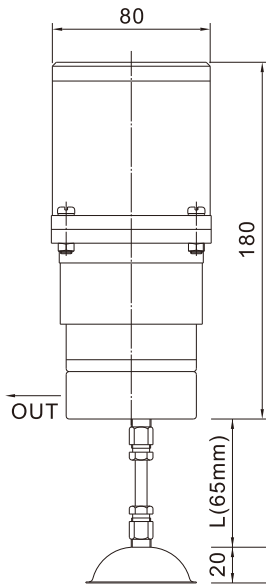


◆ features:

1. Electro-Magnetic pump has large discharge volume but compact size,.
2. Low cost of electricity
3. Easy operation and high practicality.
4. EL-1 type has fixed volume, while EL-2 type has adjustable volume.
5. Applicable for machines requiring long-time lubrication or cooling.
6. Applicable for small size machines such as lathes, milling machines, grinding machines, power press, etc.
7. Discharge volume varies in accordance with pipe length and oil viscosity.
8. Pumping pressure changes with temperature fluctuation. Temperature rises when pressure decreases.
9. The length of L can be customized. Standard length of PU tube is 300 mm.

Model	Motor	Max Volume	Operation Pressure	Voltage	Dis. Bore	Suction Pressure	Temperature Endurance	Function	Viscosity	N.W. (g)
EL-1	25W	300cc/min	0.8~1.2kgf/cm ²	110V 220V	Ø4 x PT 1/8 Ø6 x PT 1/8	30cm Hg±5cm Hg	85°C	Volume Fixed	32-68cSt@40°C	400
EL-2								Volume Adjustable		450

GA-25 Gear Pump



◆ Features:

1. Easy to operation.
2. Low cost, high practicality.
3. High quality of alloy steel that can maintain each lubrication point with oil.
4. The length can be customized. Standard length is steel tube 65 mm.

Model	Motor	Max Volume	Max Pressure	Voltage	Ampere	Herz	Dis. Bore	Viscosity	N.W. (kg)
GA-25 Resistance Type	25W	250 cc/min	12 kgf/cm ²	1Ø110V	0.7A	50/60HZ	Ø4 or Ø6	32-68cSt@40°C	3
				1Ø220V	0.2A				
				3Ø220V	0.3A				