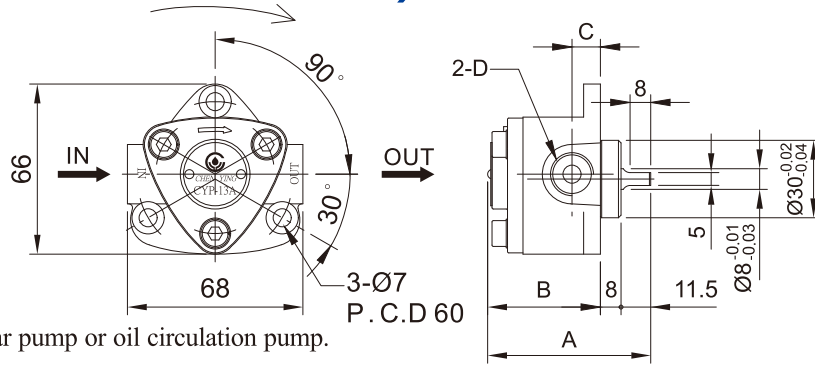


# Rotary Oil Pump (Clockwise or Anti-clockwise)

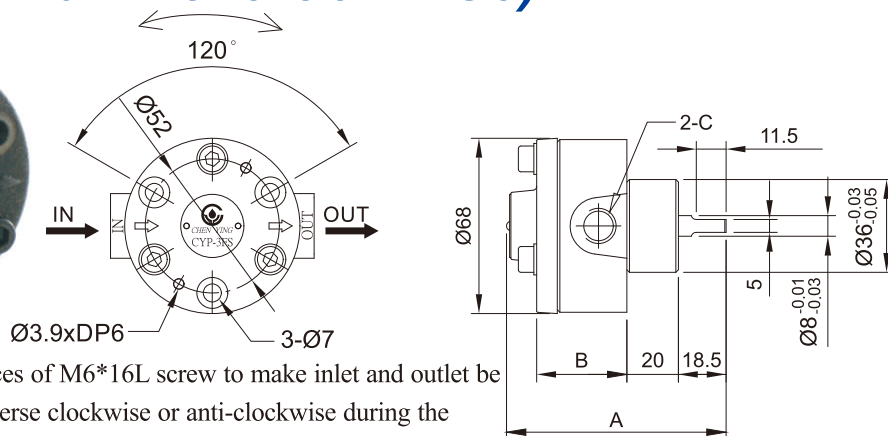


### ◆ Features

1. Rotary oil pump is also called triangular pump or oil circulation pump.
2. Recommend to assemble with 1/4 HP Horizontal Motor.
3. The flow rate of CYP-10A ~ 13A are all different, and the standard model is clockwise. Please remark on order while request anti-clockwise one.
4. It can be added an adjustable pressure valve CYP-AV as optional. The range of pressure adjustment is 0~5 kg/cm<sup>2</sup>.
5. Special request on assembling with reservoir or cyclic inlet or motor with fan, etc. are available. Refer to Chen Ying Circulating Electric Lubricator series products.
6. The standard revolution is 1420~1720 rpm. Low rpm 450~1200 rpm is only available for CYP-12L type.
7. It can be applied widely for lubricating or cooling in various machines.
8. The suitable oil viscosity is R32~68cSt @ 40 °C and suitable operating temperature is 0°C ~ 90°C.

Model	Dis. Volume(L/min)		Max Pressure	R.P.M	A	B	C	D	N.W. (g)
	1420rpm	1720rpm							
CYP-10A	1.1	1.4	5kgf/cm <sup>2</sup>	1420~1720	56.5	37	11	PT1/8	570
CYP-11A-1	2.2	2.7			56.5	37	11	PT1/8	600
CYP-11A-2					PT1/4				
CYP-12A	3.7	4.5		1420~1720	62.5	43	11	PT1/4	650
CYP-12L	3.4	4.2		450~1200				PT1/4	
CYP-13A	6.5	7.9		1420~1720	77.5	58	13.5	PT3/8	840

# Reversible Pump (Clockwise and Anti-clockwise)



### ◆ Features

1. Reversible pump uses three pieces of M6\*16L screw to make inlet and outlet be fixed. The rotating shaft can reverse clockwise or anti-clockwise during the operation of machine.
2. It is suitable for assembling with gear pump.
3. There are CYP-1FS~3FS available for different flow rate. The high revolution is 2,000 rpm.
4. Reversible pump is usually applied in Drilling Machines, Milling Machines, and CNC Lathes, etc.
5. The suitable oil viscosity is R32~68cSt @ 40°C.

Model	Dis. Volume(L/min)		Max Pressure	R.P.M	A	B	C	N.W. (g)
	1420rpm	1720rpm						
CYP-1FS	1.7	2.0	5kgf/cm <sup>2</sup>	2000	85	35	PT1/4	1000
CYP-2FS	2.7	3.2			89	39		1100
CYP-3FS	3.7	4.5			93	43		1200